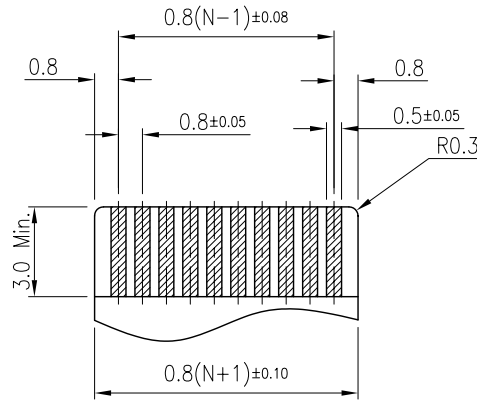


PC BOARD LAYOUT



RECOMMENDED APPLICABLE FPC LAYOUT  
(THICKNESS:0.3±0.03)

NOTES:

1. MATERIAL:  
HOUSING:HIGH TEMP THERMO PLASTIC  
TERMINAL:COPPER ALLOY  
FITTING NAIL:COPPER ALLOY
2. PLATING:PLS SEE P/N
3. COPLANARITY 0.1 MM MAX. BASE ON DATUM A
4. THIS SAMPLE SPEC:SPEC-50634-XXXXX-XXX
5. THIS PACKING IS 88344-XXXX-TRP

P/N LEGEND

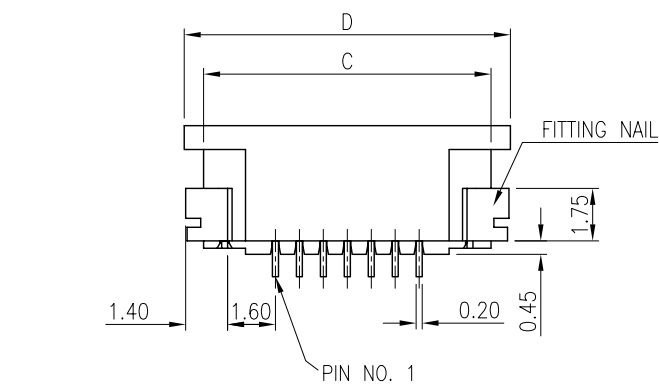
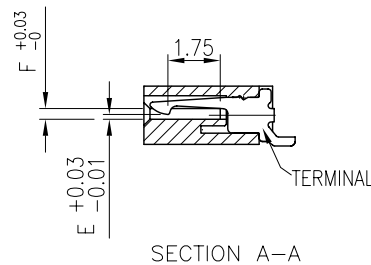
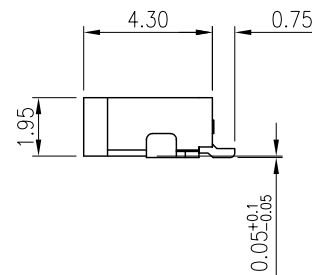
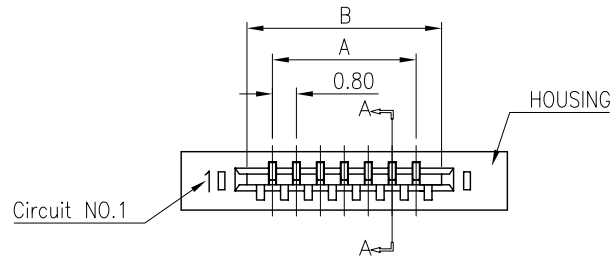
50634-XXX X X-XXX

NO OF CKT

PACKING  
0:TAPE & REEL  
1:TUBE

XXX	Housing MAT.	Housing Color.
001	HF PLASTIC	BLACK

PLATING  
1:G/F OVER ALL(LEAD FREE)  
N:MATT TIN(LEAD FREE)



CKT	DIM A	DIM B	DIM C	DIM D	DIM E	DIM F	CKT	DIM A	DIM B	DIM C	DIM D	DIM E	DIM F
4	2.40	4.10	7.20	8.50			22	16.80	18.50	21.60	22.90		0.36
5	3.20	4.90	8.00	9.30			23	17.60	19.30	22.40	23.70		
6	4.00	5.70	8.80	10.10			24	18.40	20.10	23.20	24.50		
7	4.80	6.50	9.60	10.90			25	19.20	20.90	24.00	25.30		
8	5.60	7.30	10.40	11.70		0.34	26	20.00	21.70	24.80	26.10		
9	6.40	8.10	11.20	12.50			27	20.80	22.50	25.60	26.90		
10	7.20	8.90	12.00	13.30			28	21.60	23.30	26.40	27.70		
11	8.00	9.70	12.80	14.10			29	22.40	24.10	27.20	28.50		
12	8.80	10.50	13.60	14.90			30	23.20	24.90	28.00	29.30		
13	9.60	11.30	14.40	15.70		0.18	31	24.00	25.70	28.80	30.10		
14	10.40	12.10	15.20	16.50			32	24.80	26.50	29.60	30.90		
15	11.20	12.90	16.00	17.30			33	25.60	27.30	30.40	31.70		
16	12.00	13.70	16.80	18.10			34	26.40	28.10	31.20	32.50		
17	12.80	14.50	17.60	18.90			35	27.20	28.90	32.00	33.30		
18	13.60	15.30	18.40	19.70		0.36	36	28.00	29.70	32.80	34.10	0.20	0.40
19	14.40	16.10	19.20	20.50			37	28.80	30.50	33.60	34.90		
20	15.20	16.90	20.00	21.30			38	29.60	31.30	34.40	35.70		
21	16.00	17.70	20.80	22.10			39	30.40	32.10	35.20	36.50		
							40	31.20	32.90	36.00	37.30		

<p>一般公差 TOLERANCES X ±0.5 XX ±0.15 X ±0.25 XXX ±0.1 ANGLES ±2°</p>		<p>宏致電子股份有限公司 Aces Electronic Co.,Ltd.</p>	
<p>檢驗尺寸標示 SYMBOLS ⊕ ⊗ INDICATE CLASSIFICATION DIMENSION ⊕ MARK IS CRITICAL DIM. ⊗ MARK IS MAJOR DIM.</p>		<p>品名 (TITLE) 0.8mm NON ZIF FPC CONN. SMT R/A TOP CONTACT TYPE 圖號 (DWG.NO) 50634-XXXXX-XXX</p>	
<p>新圖製成 08/10/10 Weiliang</p>		<p>圖名 (DR) 08/10/10 WEILIANG 圖號 (CHKD) WGCH 核准 (APPD) Jason</p>	
<p>比例 (SCALE) 單位 (UNITS) 4:1 mm</p>		<p>張數 (SHEET) 1 OF 1 SIZE A4 REV 0</p>	

REV	REVISION DESCRIPTION	DATE	SIGNATURE
0	新圖製成	08/10/10	Weiliang